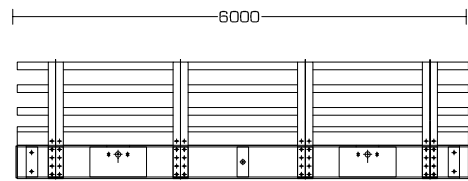


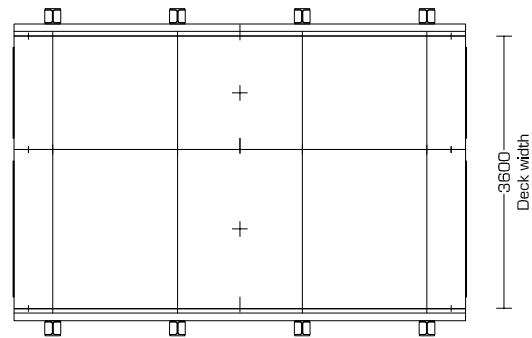
Janson Beam Bridges JSK 450 series



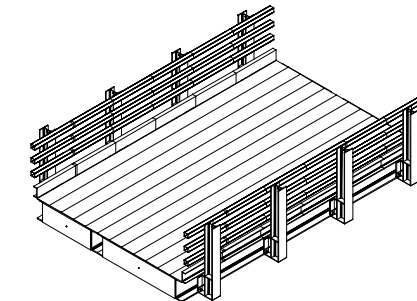
Side view **JSK 450 series - 6,00m** Free span [1-100]



Example

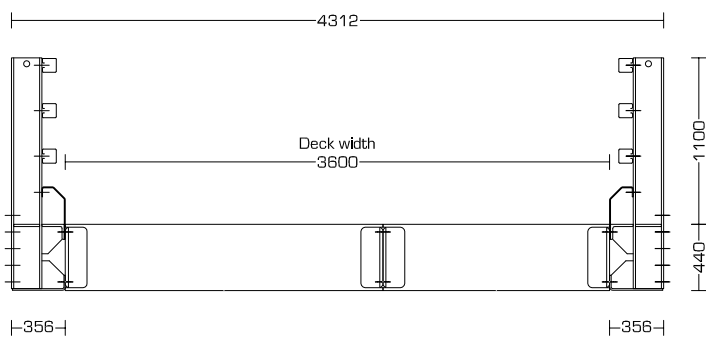


Top view **JSK 450 series - 3,60m** Deck width [1-100]




3D

- Element length: 6.000 mm
- Deck width: 3.600 mm
- Construction height: 450 mm
- Dead load: 6,6 t
- Load class: EuroCode
- Deck surface: Epoxy resin embedded with aggregate



Cross view **JSK 450 series - 450mm** Construction height [1-50]

EXAMPLE DRAWING			
 JANSONBRIDGING <small>COME ACROSS</small>		<small>www.jansonbridgghg.com</small>	
JSK 450 series - 6,00m x 3,60m			
<small>Scale</small> 1-100 1-50	<small>Format</small>	<small>Date</small> 2011-09-15	<small>Author</small> sc